

# MEGApix® 5MP License Plate Recognition (LPR) Bullet IP Camera

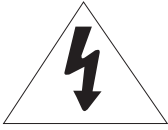
DWC-MB45iALPRT  
DWC-MB45iALPRTW



***User's Manual*** Ver. 05/23

Before installing and using the camera, please read this manual carefully.  
Be sure to keep it handy for future reference.

# Safety Information



## CAUTION

RISK OF ELECTRIC SHOCK.  
DO NOT OPEN.



## CAUTION :

TO REDUCE THE RISK OF ELECTRIC SHOCK, DO NOT REMOVE COVER (OR BACK) NO USER SERVICEABLE PARTS INSIDE.

REFER SERVICING TO QUALIFIED SERVICE PERSONNEL.



### Warning

This symbol indicates that dangerous voltage consisting of a risk of electric shock is present within this unit.



### Precaution

This exclamation point symbol is intended to alert the user to the presence of important operating and maintenance (servicing) instructions in the literature accompanying the appliance.

## WARNING

To prevent damage which may result in fire or electric shock hazard, do not expose this appliance to rain or moisture.

## WARNING

1. Be sure to use only the standard adapter that is specified in the specification sheet. Using any other adapter could cause fire, electrical shock, or damage to the product.
2. Incorrectly connecting the power supply or replacing the battery may cause an explosion, fire, electric shock, or damage to the product.
3. Do not connect multiple cameras to a single adapter. Exceeding the capacity may cause excessive heat generation or fire.
4. Securely plug the power cord into the power receptacle. An insecure connection may cause fire.
5. When installing the camera, fasten it securely and firmly. A falling camera may cause personal injury.
6. Do not place conductive objects (e.g. screwdrivers, coins, metal items, etc.) or containers filled with water on top of the camera. Doing so may cause personal injury due to fire, electric shock, or falling objects.
7. Do not install the unit in humid, dusty, or sooty locations. Doing so may cause fire or electric shock.
8. If any unusual smells or smoke come from the unit, stop using the product. Immediately disconnect the power source and contact the service center. Continued use in such a condition may cause fire or electric shock.
9. If this product fails to operate normally, contact the nearest service center. Never disassemble or modify this product in any way.
10. When cleaning, do not spray water directly onto parts of the product. Doing so may cause fire or electric shock.

## Precaution

### Operating

- Before using, make sure the power supply and all other parts are properly connected.
- While operating, if any abnormal condition or malfunction is observed, stop using the camera immediately and contact your dealer.

### Handling

- Do not disassemble or tamper with parts inside the camera.
- Do not drop the camera or subject it to shock or vibration as this can damage the camera.
- Clean the clear dome cover with extra care. Scratches and dust can ruin the quality of the camera image.

### Installation and Storage

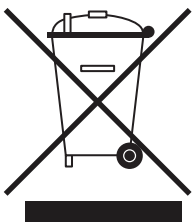
- Do not install the camera in areas of extreme temperature, exceeding the allowed range.
- Avoid installing in humid or dusty environments.
- Avoid installing in places where radiation is present.
- Avoid installing in places where there are strong magnetic fields and electric signals.
- Avoid installing in places where the camera would be subject to strong vibrations.
- Never expose the camera to rain or water.

# Important Safety Instructions

- 1. Read these Instructions.** - All these safety and operating instructions should be read before the product is installed or operated.
- 2. Keep these Instructions.** - The safety, operating and use instructions should be retained for future reference.
- 3. Heed all warnings.** - All warnings on the product and in the operating instructions should be adhered to.
- 4. Follow all instructions.** - All operating and use instructions should be followed.
- 5. Do not use this device near water.** - For example: near a bathtub, washbowl, kitchen sink, laundry tub, in a wet basement; near a swimming pool; etc.
- 6. Clean only with a dry cloth.** - Unplug this product from the wall outlet before cleaning. Do not use liquid cleaners.
- 7. Do not block any ventilation openings. Install following the manufacturer's instructions.** - Slots and openings in the cabinet are provided for ventilation, to ensure reliable operation of the product, and to protect it from overheating. The openings should never be blocked by placing the product on a bed, sofa, rug, or other similar surfaces. This product should not be placed in a built-in installation such as a bookcase or rack unless proper ventilation is provided and the manufacturer's instructions have been adhered to.
- 8. Do not install near any heat sources such as radiators, heat registers, or other apparatus (including amplifiers) that produce heat.**
- 9. Do not defeat the safety purpose of the polarized or grounding-type plug. A polarized plug has two blades with one wider than the other. A grounding type plug has two blades and a third grounding prong. The wide blade or the third prong are provided for your safety. If the provided plug does not fit into your outlet, consult an electrician for replacement of the obsolete outlet.**
- 10. Protect the power cord from being walked on or pinched particularly at plugs, convenience receptacles, and the point where they exit from the apparatus.**
- 11. Only use attachments/accessories specified by the manufacturer.**
- 12. Use only with cart, stand, tripod, bracket, or table specified by the manufacturer, or sold with the apparatus. When a cart is used, use caution when moving the cart/apparatus combination to avoid injury from tip-over.**
- 13. Unplug this apparatus during lightning storms or when unused for long periods.**
- 14. Refer all servicing to qualified service personnel. Servicing is required when the apparatus has been damaged in any way, such as power supply cord or plug is damaged, liquid has been spilled or objects have fallen into the apparatus, the apparatus has been exposed to rain or moisture, does not operate normally, or has been dropped.**



## Disposal of Old Appliances



1. When this crossed-out wheel bin symbol is attached to a product it means the product is covered by the European Directive 2002/96/EC.
2. All electrical and electronic products should be disposed of separately from the municipal waste stream per laws designated by the government or the local authorities.
3. The correct disposal of your old appliance will help prevent potential negative consequences for the environment and human health.
4. For more detailed information about disposal of your old appliance, please contact your city office, waste disposal service or the shop where you purchased the product.



This equipment has been tested and found to comply with the limits for a Class A digital device, pursuant to part 15 of the FCC Rules. These limits are designed to provide reasonable protection against harmful interference when the equipment is operated in a commercial environment.

This equipment generates, uses, and can radiate radio frequency energy and, if not installed and used in accordance with the instruction manual, may cause harmful interference to radio communications. Operation of this equipment in a residential area is likely to cause harmful interference in which case the user will be required to correct the interference at his own expense.

# Table of Contents

---

## Introduction

Product and accessories.....	5
Parts identification.....	6

## Installation

Factory reset.....	7
Installation.....	7
Cabling.....	10
Managing the SD Card.....	12

## Network Setup

DW IP finder.....	13
-------------------	----

## Web Viewer

Login to the camera.....	14
GUI overview.....	15
Camera Settings	
Settings > Video and audio setup.....	16
Settings > Camera setup > Image adjustment.....	24
Settings > Camera setup > Exposure settings.....	25
Settings > Camera setup > Image enhancement settings.....	26
Settings > Camera setup > Video enhancement.....	27
Settings > Network setup.....	28
Settings > Trigger action setup.....	39
Settings > Event setup.....	43
Settings > Record setup.....	48
Settings > Security setup.....	54
Settings > System setup > System information.....	61
Settings > System setup > Firmware.....	64
Settings > System setup > Date and time.....	65
Settings > System setup > DST.....	66
Settings > System setup > Users.....	67
Settings > System setup > System log.....	68
Settings > System setup > Factory reset.....	69
Settings > System setup > Restart.....	70
Settings > System setup > System open source license.....	71
<b>Network setup guides.....</b>	<b>72</b>
<b>FAQs.....</b>	<b>79</b>
<b>Dimensions.....</b>	<b>80</b>
<b>Specifications.....</b>	<b>81</b>
<b>Warranty.....</b>	<b>82</b>
<b>Limits and exclusions.....</b>	<b>83</b>





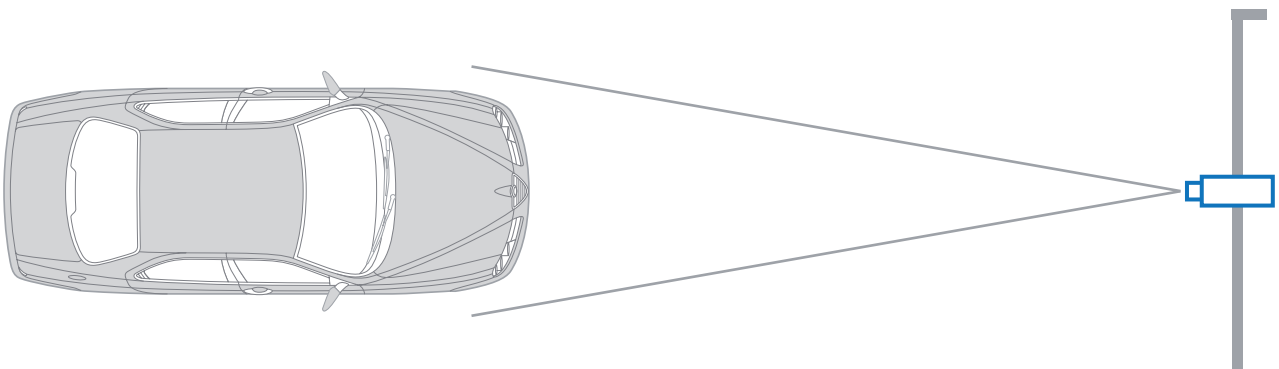


# Installation - Installation

---

An LPR camera is designed to read a license plate only. When a license plate passes by the camera, the reflective lm on the plate will be reected back to the camera which gives youthe good clear shot of the plate. You will ONLY capture an image of the plate.

US license plates need to be at least 216 pixels wide. This translates roughly into an image no wider than 5-6 feet assuming 1944p standard denition video.



## **THE CAMERA SHOULD BE MOUNTED AT AN ANGLE NO GREATER THAN 30 DEGREES**

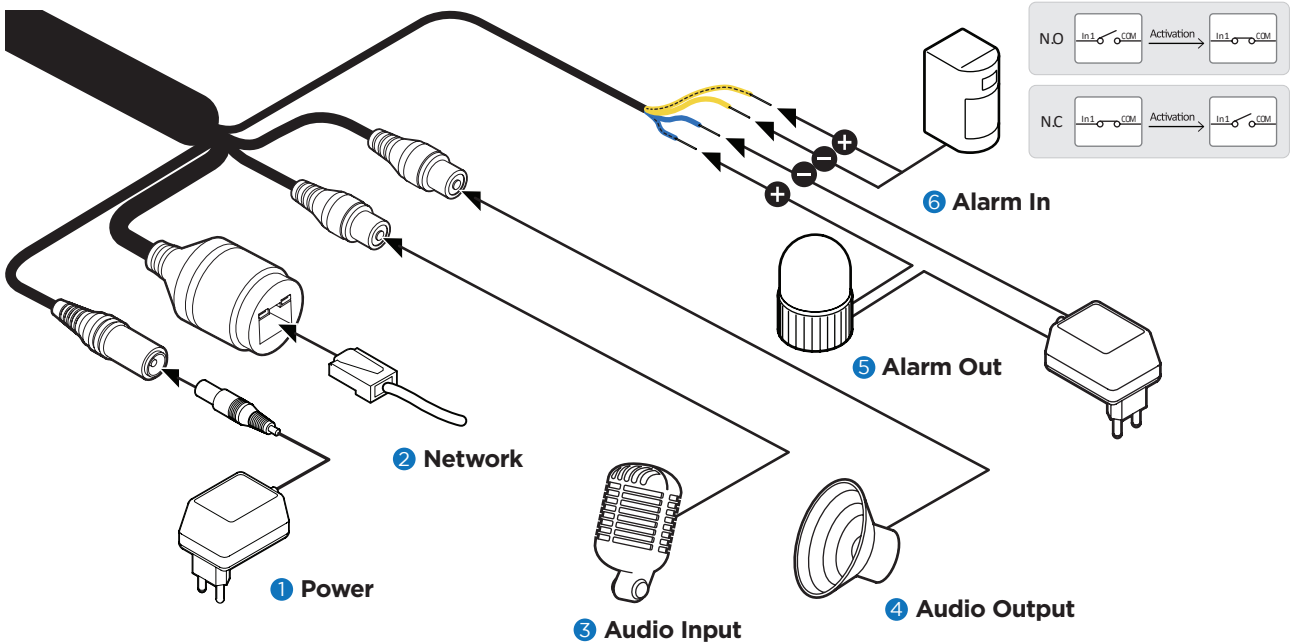
- 1 The LPR camera should be mounted at a height between 3-8 ft., and a distance no greater than 80 ft. from the target area. Exceeding the distance recommendations may result in a poor quality image of moving license plates.
- 2 Ensure that the camera angle is no more than 20° degrees (horizontally) 30° degrees (vertically) from the target area.
- 3 It is recommended to position a license plate or vehicle to reflect the IR light of the camera while adjusting the camera's focus of the target area.
- 4 After mounting the camera, you can press the Zoom Lens Button (located on the underside of the camera) to sequentially zoom and auto-focus the camera. Alternatively, the camera's web GUI or management software can be utilized as well. The longer the Zoom Lens button (T-W jog button) is pressed down, the further the lens module will zoom.
- 5 Please note that the cameras ship with focus in Manual mode. To change the camera's focus to Auto, enter the camera's web GUI and use the +/- zoom buttons on the left of the camera image.







# Installation - Cabling



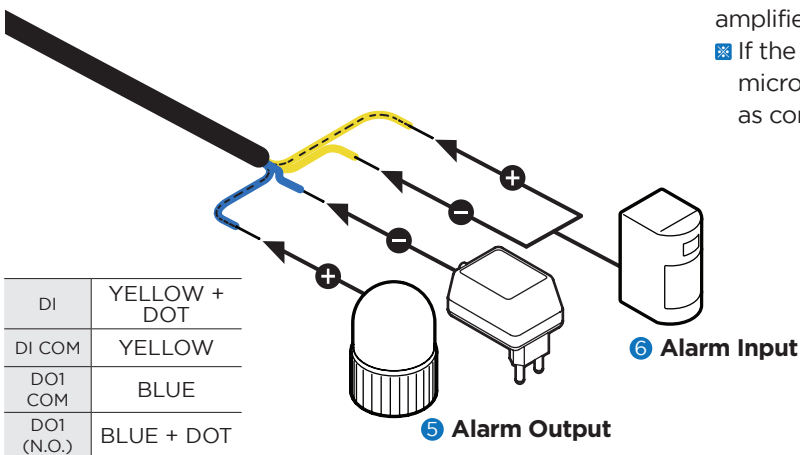
## 1 Power Connection

Please, check the voltage and current capacity of rated power carefully.

Rate Power	Power Consumption	PoE
DC 12V	9W	IEEE 802.3af class3, max 10.5W

## 2 Network Connection

Connect the crossover cable into the RJ-45.



## 5 Alarm/Relay Out (DO)

Connects to the alarm lights, siren or lamps and the sensor types are normally open and normally close.

## 3 Audio Output

Connect the 'audio out' port of the camera to the 'line in' port of the speaker.

- ⚠ If the speaker without the amplifier is connected to the audio out port, it doesn't work properly. Therefore, the speaker with the amplifier or the separate amplifier is needed.
- ⚠ Audio Out is available via the RTSP backchannel.

## 4 Audio Input

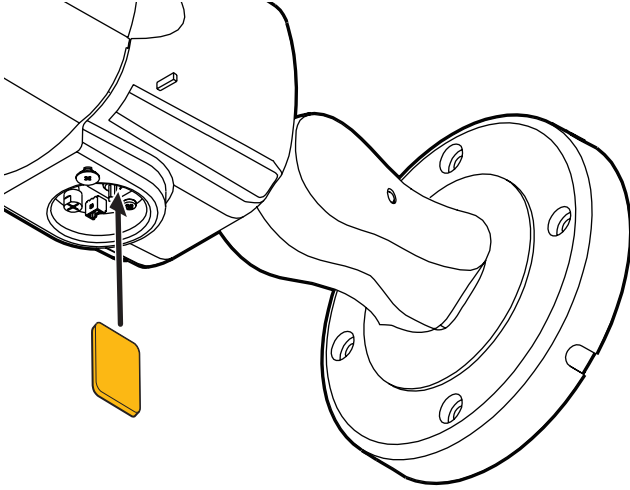
Connect the 'audio in' port of the camera to the microphone directly or 'line out' port of the amplifier connected with a microphone.

- ⚠ If the microphone is connected directly, the microphone with the embedded amplifier such as condenser mic. needs to be used.

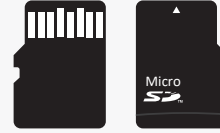
## 6 Sensor/Alarm Input (DI)

The sensor/alarm input device's cable should connect to + and - of the Terminal Block.

# Installation - Managing the SD Card



The memory card is an external data storage device that has been developed to offer an entirely new way to record and share video, audio, and text data using digital devices.



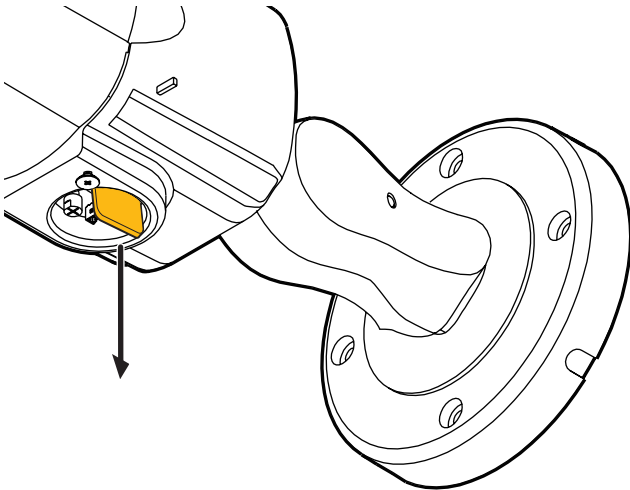
## ⚠ Recommended SD card specification (not included)

- Maximum SD Card size supported: Up to 1TB micro SD / exFAT.
- When inserting the SD card into the card slot, the SD card's contacts should be facing upward, as shown in the diagram.

### 1 Inserting an SD Memory Card

Insert the SD card in the arrow direction.

- ⚠ Don't insert the SD memory card while it's upside down by force. Otherwise, it may damage the SD memory card.



### 2 Removing an SD Memory Card

Removing an SD Memory Card Gently press down on the exposed end of the memory card as shown in the diagram to eject the memory card from the slot.

- ⚠ Pressing too hard on the SD memory card can cause the card to shoot out uncontrollably from the slot when released.
- ⚠ If you have saved data in the SD memory card, removing the SD memory card before setting the record to OFF will cause damage to the data stored in the card.

































































































































































