

Pole-mount bracket for LED illuminators

DW-ILPM1



WHAT'S IN THE BOX

1 x pole mount bracket

2 x pole clips

1 x quick setup guide

NOTE: Download all your support materials and tools in one place

1. Go to: <http://www.digital-watchdog.com/resources>
2. Search your product by entering the part number in the 'Search by Product' search bar. Results for applicable part numbers will populate automatically based on the part number you enter.
3. Click 'Search'. All supported materials, including manuals and quick start guide (QSGs) will appear in the results.



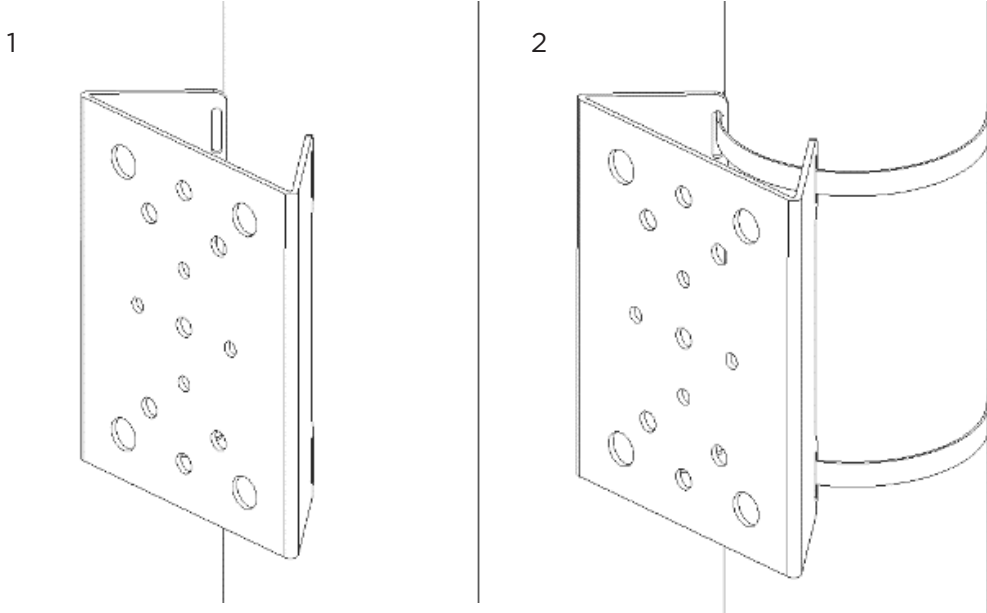
Attention: This document is intended to serve as a quick reference for the initial set-up. It is recommended that the user read the entire instruction manual for complete and proper installation and usage.

INSTALLING THE POLE MOUNT BRACKET

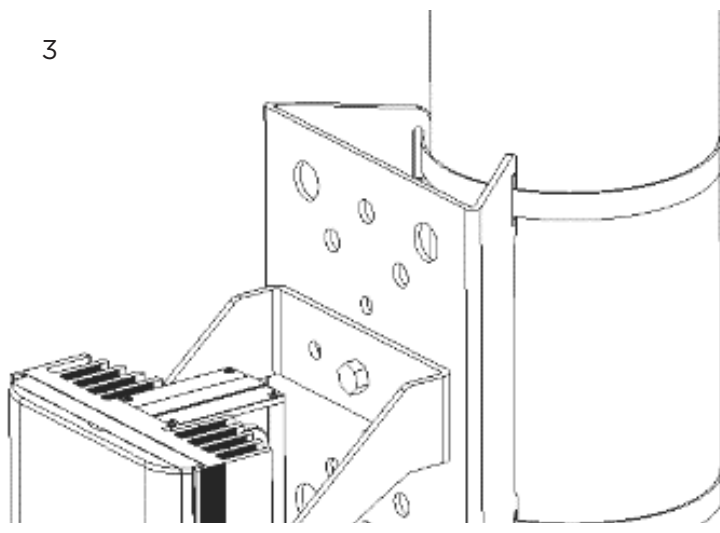
Single pole mount bracket is compatible with all DW® NightWatch™ illuminators including DW-ILWM1, DW-ILWM2 and DW-ILWM3 mount brackets.

The pole mount bracket comes with stainless steel straps to fit 2.95" to 7.87" (7.5 to 20 cm) diameter poles.

LED ILLUMINATOR INSTALLATION WITH POLE MOUNT BRACKET



Place the bracket against the pole in the required position. Thread the steel straps through the slots located in the bracket and tighten around the pole with a suitable wrench.



A single illuminator can be mounted to the bracket using M6 nuts and bolts. Vertical adjustment can be made using the two hex bolts on each side of the illuminator. Mounting holes are also provided to pair with single (DW-ILWM1), double (DW-ILWM2) and triple mounting (DW-ILWM3) brackets.

